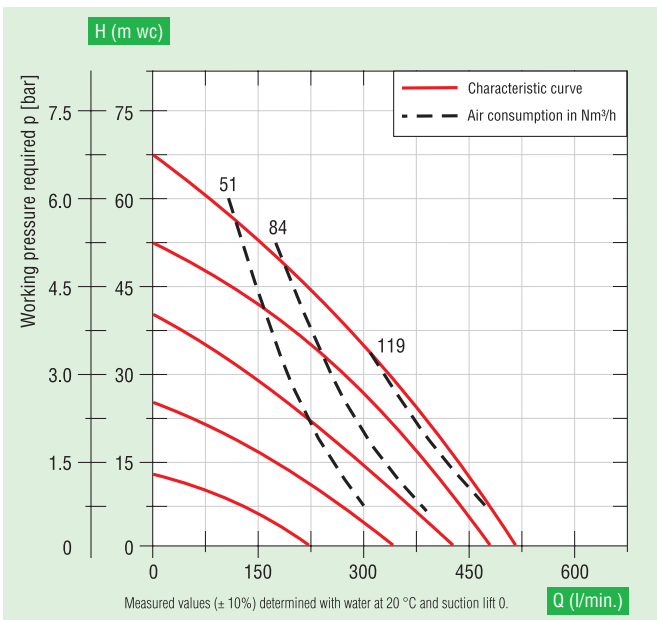


# Lutz Double Diaphragm Pumps

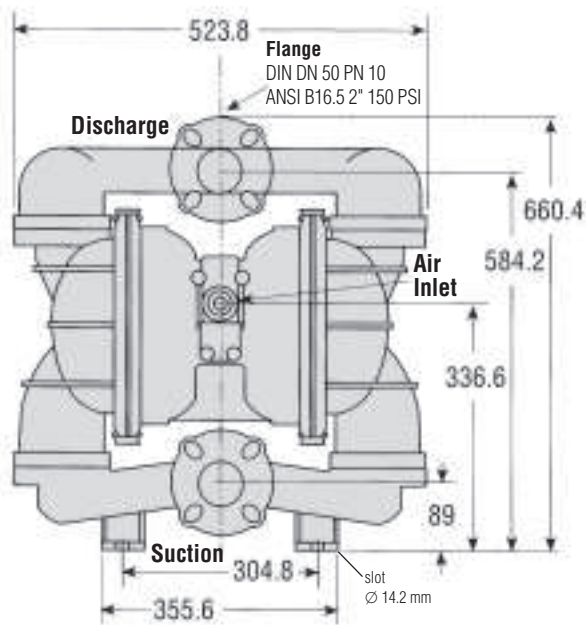
## Model 2" Clamped Version (non-metallic)

### Typical application:

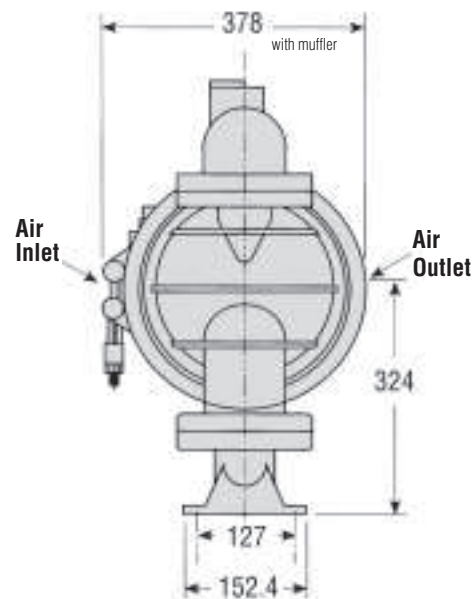
Paint, latex, ceramic slip, slurries, polymers, tank car fill and empty, foods



Suitable range of accessories see page 34 - 45.



Front View



Side View

Individual datasheets on request.  
Dimensions in mm