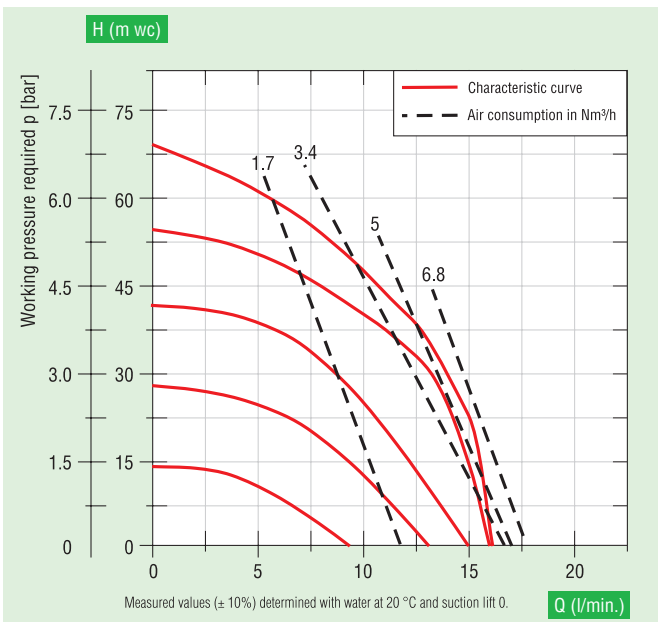


Lutz Double Diaphragm Pumps

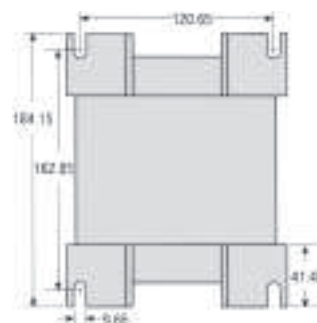
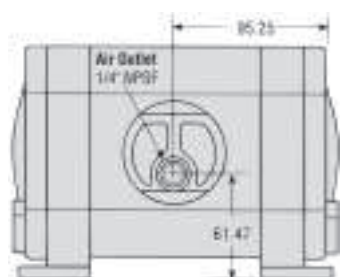
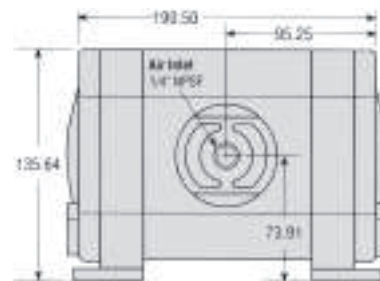
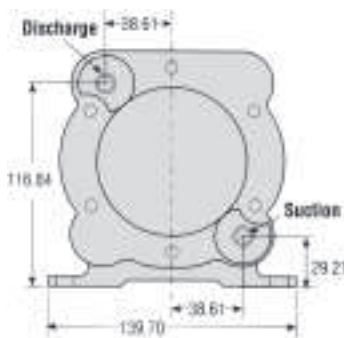
Model 1/4" Bolted Version (non-metallic)

Typical application:

For the laboratory sector, small plants, requirements with small delivery volume at relatively high pressure



Suitable range of accessories see page 34 - 45.



Individual datasheets on request.
Dimensions in mm