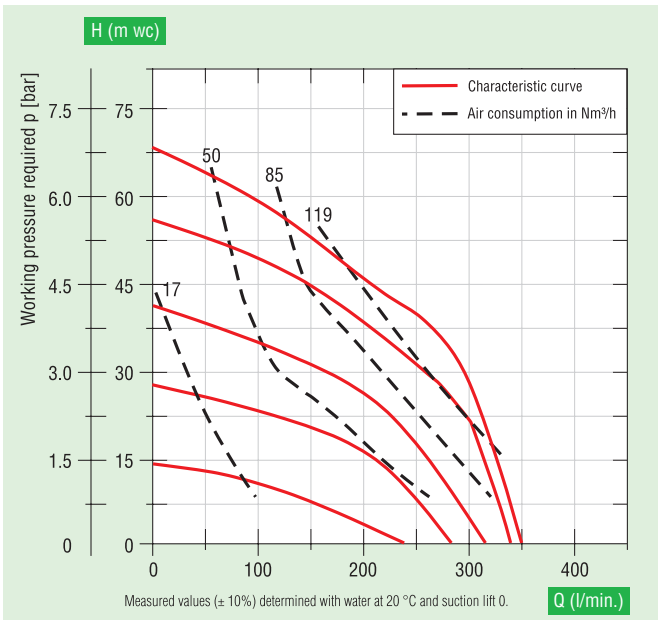


# Lutz Double Diaphragm Pumps

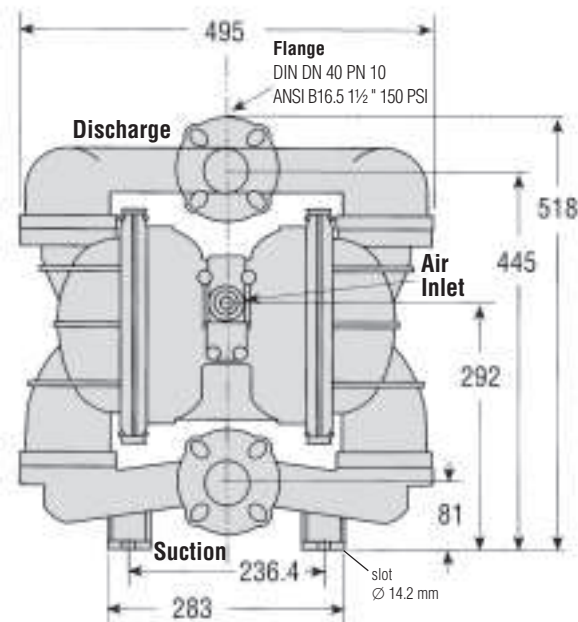
## Model 1 1/2" Clamped Version (metallic)

### Typical application:

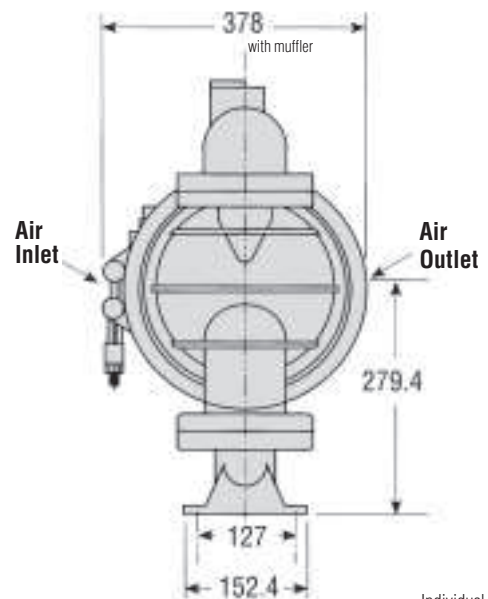
Filter press, tank cleaning systems, pigments and resins



Explosion proof protection  
Suitable range of accessories for avoiding electrostatic charge see page 34 - 45.



Front View



Side View

Individual datasheets  
on request.  
Dimensions in mm